

2017 PRODUCT CATALOGUE



**EuroCASE**®
PARTIS a.s.

2017

Contents

02/03

Brief Introduction

32/34

GMA Wall Mounted Cabinets

06/08

GA Standing Network Cabinet

35/37

GMB Wall Mounted Cabinets

09/12

GE Standing Network Cabinet

38/39

GMC Wall Mounted Cabinets

13/15

Width 600 GB Standing Server Cabinets

40/41

GQ Wall Mounted Cabinets

16/19

Width 800 GB Standing Server Cabinets

42/43

GU Wall Mounted Cabinet

20/22

GC Standing Network Cabinets

44/45

GKA Single Open Racks

23/25

GD Standing Network Cabinets

46/47

GKB Double Data Racks

26/29

GF Standing Server Cabinets

48/50

Fiber Optic Terminal Box

30/31

GS Cold Pool System For Data Center

51/58

Cabinet Accessories



Network cabinets, server cabinets
professional providers!



GA Standing Network Cabinet



• Cabinets Are Vented To Allow Colling Fan



• Side Frame With Earthing Line



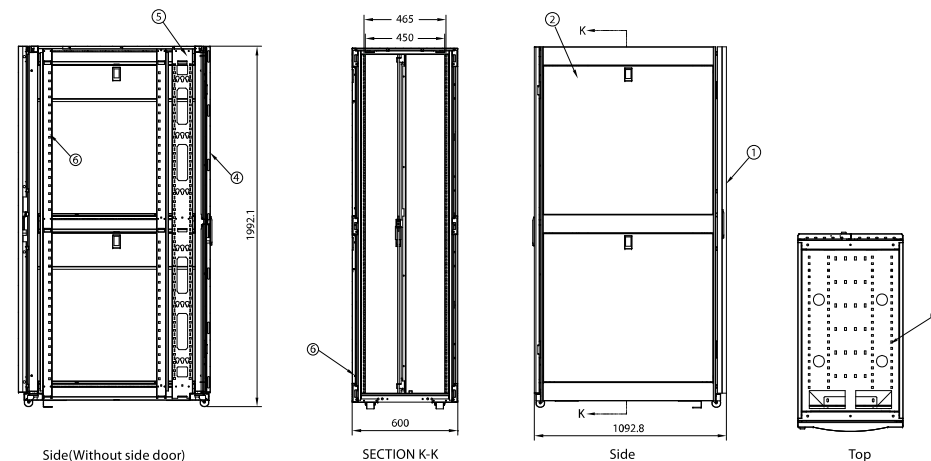
• Rails With U Mark



• 6 ways universal PDU

This GA Standing Network Cabinet Is A Cost Effective Cabinet That Can Be Installed In Equipment Rooms Or In Office Environments Where Aesthetics Are Import. The GA Standing Network Cabinet Is Available In A Variety Of Heights And Colors And Is Designed For Mounting Telecommunications. Data Communications. Security, Broadcast And Other 19" Electronic Equipment. The GA Standing Network Cabinet Feature Lockable Removable Side Panels And Camber Front/Rear Door With Beehive Vented For Increased Air-Flow And Ventilation. These Cabinet Come Complete With Fans, 4(2 Front, 2 Rear) Adjustable Nine Flex Mounting Rail, Castors, Leveling Feet, Feet, Earthing Screw, Shipped Fully Assembled.

■ Main Dimension:



Product Features

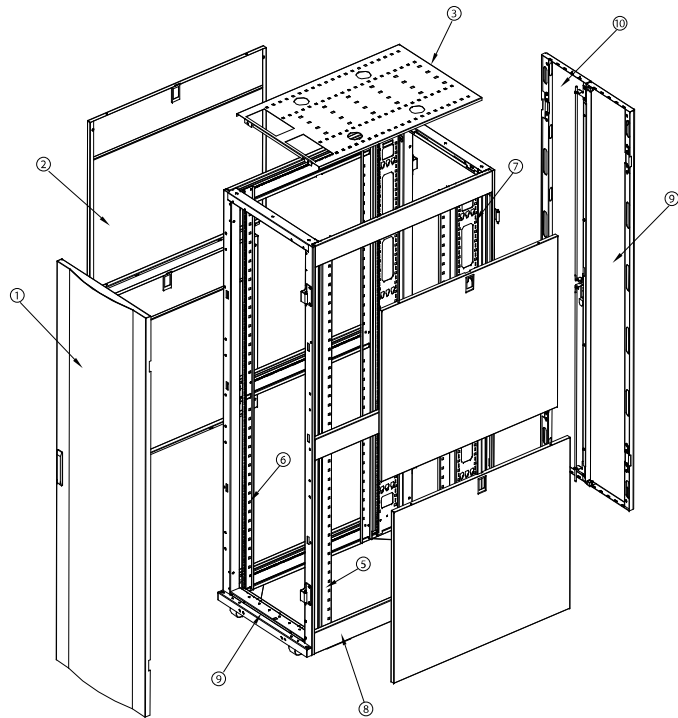
- Exquisite Design With Precision Dimensions And Craftmanship
- Color: Computer Gray Or Black
- Arc Vented Front/Rear Doors Enable Ventilation And Reliable Operation
- Swiveling Wheels And Legs Can Be Jointly Installed To Withstand Up To 800kgs Maximum Carrying Capacity
- Several Lockable Wiring Holes On Top/Bottom, Size Of The Large Hole At The Bottom Adjustable
- Easy-To-Disassemble Front/Rear/Left/Right Doors Enable Convenient Operation From Any Side Of The Cabinet
- Optional Installation Of Base Enables The Cabinet To Stay In A Fixed Position With Meeting Requirements Of Under-Base Wiring/Ventilation
- Linkage Cabinet, Full Series Of Optional Accessories

■ Specification:

Model Number	Capacity(U)	Width (mm)	Depth(mm)	Height(mm)	Packing Dimension (W*D*H)	Volume(CBM)
GA6125	25	600	1000	1236	650*1150*1386	1.036
GA6142	42	600	1000	1992	650*1150*2142	1.601
GA6148	48	600	1000	2259	650*1150*2409	1.800
GA7125	25	750	1000	1236	750*1150*1386	1.195
GA7142	42	750	1000	1992	750*1150*2142	1.8474
GA7148	48	750	1000	2259	750*1150*2409	2.078

GA Standing Network Cabinet

■ Main Structure:



- 1. Ventilation Front door
- 2. Side door
- 3. TOP COVER
- 4. Frame
- 5. Rail-right
- 6. Rail-left
- 7. Cable-manager
- 8. Beam
- 9. Ventilation rear door-right
- 10. Ventilation rear door-left

■ Main Part:

S/N	Specification	Quantity	Material	Surface finish	Remark
1	Ventilation Front door	1	SPCC cold rolled steel t1.5	Powder coated	---
2	Side door	4	SPCC cold rolled steel t1.2	Powder coated	---
3	Top Cover	1	SPCC cold rolled steel t1.2	Powder coated	---
4	Frame	2	SPCC cold rolled steel t2.0	Powder coated	---
5	Rail-right	2	SPCC cold rolled steel t2.0	Powder coated	---
6	Rail-left	2	SPCC cold rolled steel t2.0	Powder coated	---
7	Cable-manager	2	SPCC cold rolled steel t2.0	Powder coated	---
8	Beam	6	SPCC cold rolled steel t1.5	---	---
9	Ventilation rear door-right	1	SPCC cold rolled steel t1.2	Powder coated	---
10	Ventilation rear door-left	1	SPCC cold rolled steel t1.2	---	---

GE Standing Network Cabinet



● Cabinets Are Vented To Allow Colling Fan

● The Frame Can Be Removed According To Requirement, U Was Marked In The Frame To Identify The Height.

● Rails With U Mark

● 6 ways universal PDU

● Front Lock

GE Standing Network Cabinet



Product Features

The GE Standing Network Cabinet Is A Cost Effective Cabinet That Can Be Installed In Equipment Rooms Or In Office Environments Where Aesthetics Are Import.

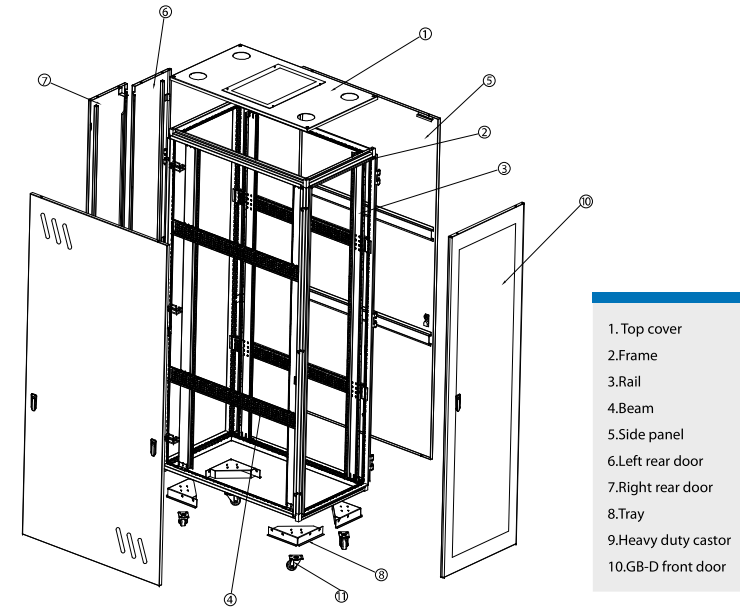
The GE Standing Network Cabinet Are Available In A Variety Of Heights And Colors And Are Designed For Mounting Telecommunications, Datacommunications, Security, Broadcast And Other 19" Electronic Equipment.

The GE Standing Network Cabinet Feature Lockable Removable Side Panels And Camber Front/Rear Door With Beehive Vented For Increased Air-Flow And Ventilation. These Cabinet Come Complete With Fans, 4 (2 Front, 2 Rear) Adjustable Nine Flex Mounting Rails, Casters, Leveling Feet, Earthing Screw. Shipped Fully Assembled.

- Exquisite Design With Precision Dimensions And Craftsmanship;
- Color: Computer Gray Or Black;
- Arc Vented Front/Rear Doors Enable Ventilation And Reliable Operation;
- Swiveling Wheels And Legs Can Be Jointly Installed To Withstand Up To 800Kg Maximum Carrying Capacity And 350Kg Mobile Carrying Capacity;
- Several Lockable Wiring Holes On Top/Bottom, Size Of The Large Hole At The Bottom Adjustable;
- Easy-To-Disassemble Front/Rear/Left/Right Doors Enable Convenient Operation From Any Side Of The Cabinet;
- Optional Installation Of Base Enables The Cabinet To Stay In A Fixed Position While Meeting Requirements Of Under-Base Wiring/Ventilation;
- Linkage Cabinet, Full Series Of Optional Accessories



Main Structure:



Main Part:

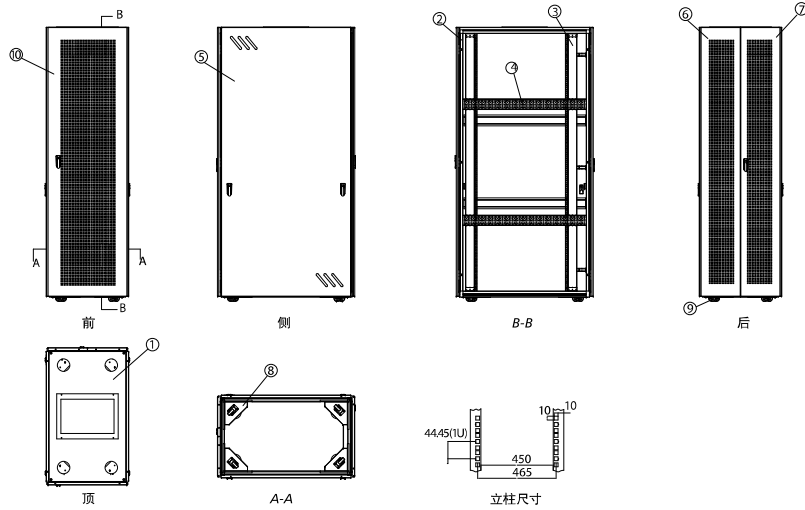
S/N	Specification	Quantity	Unit	Material	Surface finish	Remark
1	Flying Rings	4	Piece	Steel	Plated white Zinc	---
2	Top cover	1	Piece	SPCC cold rolled steel t1.5	Powder coated	---
3	Fan tray(optional)	1	Piece	SPCC cold rolled steel t1.0	Powder coated	---
4	Frame	1	Set	SPCC cold rolled steel t1.5	Powder coated	Nine folds the molding
5	Mounting profile	4	Piece	SPCC cold rolled steel t2.0	Plated white Zinc	---
6	Mounting angle	6	Piece	SPCC cold rolled steel t2.0	Plated white Zinc	---
7	Side panel	2	Piece	SPCC cold rolled steel t1.5	Powder coated	Steel door with lock
8	Left rear door	1	Piece	SPCC cold rolled steel t1.2	Powder coated	Vented door
9	Right rear door	1	Piece	SPCC cold rolled steel t1.2	Powder coated	Vented door
10	Tray	4	Piece	SPCC cold rolled steel t2.0	Powder coated	---
11	Heavy duty castor	4	Piece	---	---	---
12	Duty front door ¹	1	Piece	SPCC cold rolled steel t1.5	Powder coated	---

Definition of Color:

- RAL9005
- RAL9004

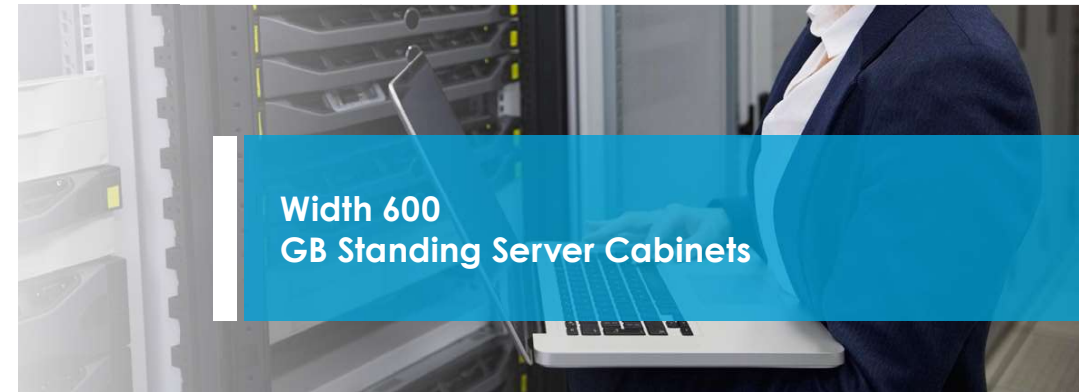


■ Main Dimension:



■ Specification:

Model Number	Capacity(U)	Width (mm)	Depth(mm)	Height(mm)	Packing Dimension (W*D*H)	Volume(CBM)
GE6622	22	600	600	1110	620*620*1130	0.4344
GE6822	22	600	800	1110	620*820*1130	0.5745
GE6922	22	600	900	1110	620*920*1130	0.6446
GE6022	22	600	1000	1110	620*1020*1130	0.7146
GE6627	27	600	600	1330	620*620*1350	0.5189
GE6827	27	600	800	1330	620*820*1350	0.6863
GE6927	27	600	900	1330	620*920*1350	0.7700
GE6027	27	600	1000	1330	620*1020*1350	0.8537
GE6632	32	600	600	1550	620*620*1570	0.6035
GE6832	32	600	800	1550	620*820*1570	0.7982
GE6932	32	600	900	1550	620*920*1570	0.8955
GE6032	32	600	1000	1550	620*1020*1570	0.9929
GE6637	37	600	600	1780	620*620*1800	0.6919
GE6837	37	600	800	1780	620*820*1800	0.9151
GE6937	37	600	900	1780	620*920*1800	1.0267
GE6037	37	600	1000	1780	620*1020*1800	1.1383
GE6642	42	600	600	2000	620*620*2020	0.7765
GE6842	42	600	800	2000	620*820*2020	1.0269
GE6942	42	600	900	2000	620*920*2020	1.1522
GE6042	42	600	1000	2000	620*1020*2020	1.2774
GE8642	42	800	600	2000	820*620*2020	1.0269
GE8842	42	800	800	2000	820*820*2020	1.3582
GE8942	42	800	900	2000	820*920*2020	1.5238
GE8042	42	800	1000	2000	820*1020*2020	1.6895
GE6647	47	600	600	2220	620*620*2240	0.8610
GE6847	47	600	800	2220	620*820*2240	1.1388
GE6947	47	600	900	2220	620*920*2240	1.2776
GE6047	47	600	1000	2220	620*1020*2240	1.4266



Product Features

The GB Standing Server Cabinet Is A Cost Effective Cabinet That Can Be Installed In Equipment Rooms Or In Office Environments Where Aesthetics Are Important. The Frame Made From Comes With Steel Side, Top And Rear Door Plus A Toughened Glass Front Door, Two Pairs Of Shelf Rails Are Provided For Mounting Shelves And Other Accessories In The 600mm / 800mm And 960mm Deep Cabinets. 19" Telecommunication And Data Racks Designed For Installing Patch Panels, Active Components For Lan Construction, Modems, Industry Controlling Devices, Stage Lighting Control, Monitor Equipments Etc. Unassembled Rack Is Equipped With 2 Pairs Of 19" Movable Vertical Extrusions, One Pair Of Side Panels With Quick Release Locking Fastener, Tempered Glass Front Door With Lock, Rear Metal Door With Lock. Increase Operation Reliability For Inside Equipments, Strong Structure With Maximum Static Load Of 500 Kg Up. Several Lockable Cable Entrance On The Top/Bottom Plate.



• Rails With U Mark

• Side Frame With Earthing Line



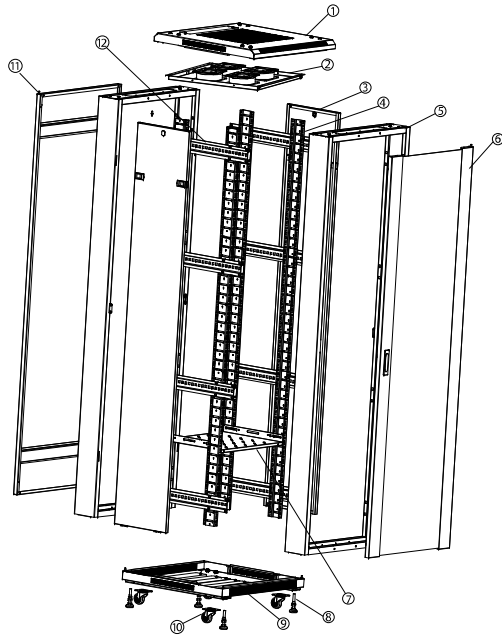
• Cabinets Are Vented To Allow Colling Fan

• Front Lock

Width 600 GB Standing Server Cabinets



■ Main Structure:



- 1.Top cover
- 2.Fan tray
- 3.Side panel
- 4.Rail
- 5.Frame
- 6.Front door
- 7.Fixed shelf
- 8.Heavy duty whell
- 9.Bottom
- 10.Castor with break
- 11.Back door
- 12.Beam

■ Main Part:

S/N	Specification	Quantity	Unit	Material	Surface finish	Remark
1	Top cover	1	Piece	SPCC cold rolled steel t1.2	Powder coated	----
2	Fan tray	1	Piece	SPCC cold rolled steel t1.0	Powder coated	----
3	Side panel	2	Piece	SPCC cold rolled steel t1.0	Powder coated	Toughened glass door
4	Rail	4	Piece	SPCC cold rolled steel t2.0	Powder coated	----
5	Frame	2	Piece	SPCC cold rolled steel t1.2	Powder coated	----
6	Front door	1	Piece	5mm toughened glass door/SPCC t1.2	Powder coated	Removable plate door
7	Fixed shelf	1	Piece	SPCC cold rolled steel t1.2	Powder coated	----
8	Heavy duty whell	4	Piece	----	----	----
9	Bottom	1	Piece	SPCC cold rolled steel t1.2	Powder coated	----
10	Castor with break	4	Piece	----	----	----
11	Rear door	1	Piece	SPCC cold rolled steel t1.2	Powder coated	Removable plate door
12	Beam	8	Piece	SPCC cold rolled steel t1.2	Powder coated	----
13	Square screws & nuts	56	Piece	Steel	Plated white Zinc	----
14	Allen wrench	1	Piece	Steel	Black	----
15	M12 adjustable feet	4	Piece	----	----	----

■ Meaning of Last Second Order NO.:



GB-A toughened glass door



GB-B steel door without holes



GB-C toughened glass door & veted door border



GB-D vented plate door



GB-E vented plate door with square holes



GB-F double-sections vented door



GB-G Arc vented door



GB-H strong plate vented door

Width 800 GB Standing Server Cabinets

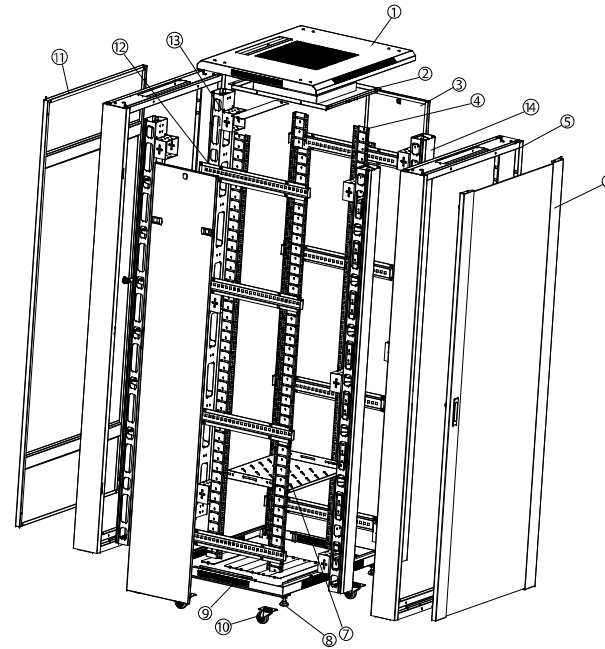


- Cabinets Are Vented To Allow Colling Fan
- The Frame Can Be Removed According To Requirement, U Was Marked In The Frame To Identify The Height.
- Rails With U Mark
- 6 ways universal PDU
- Front Lock

Product Features

The GB Standing Server Cabinet Is A Cost Effective Cabinet That Can Be Installed In Equipment Rooms Or In Office Environments Where Aesthetics Are Important. The Frame Made From Comes With Steel Side, Top And Rear Door Plus A Toughened Glass Front Door, Two Pairs Of Shelf Rails Are Provided For Mounting Shelves And Other Accessories In The 600mm / 800mm And 960mm Deep Cabinets. 19" Telecommunication And Data Racks Designed For Installing Patch Panels, Active Components For Lan Construction, Modems, Industry Controlling Devices, Stage Lighting Control, Monitor Equipments Etc. Unassembled Rack Is Equipped With 2 Pairs Of 19" Movable Vertical Extrusions, One Pair Of Side Panels With Quick Release Locking Fastener, Tempered Glass Front Door With Lock, Rear Metal Door With Lock Increase Operation Reliability For Inside Equipments, Strong Structure With Maximum Static Load Of 500 Kg Up. Several Lockable Cable Entrance On The Top/Bottom Plate.

Main Structure:



- 1.Top cover
- 2.Fan tray
- 3.Side panel
- 4.Rail
- 5.Frame
- 6.Front door
- 7.Fixed shelf
- 8.Heavy duty whell
- 9.Bottom
- 10.Castor with break
- 11.Back door
- 12.Beam
- 13.Spacer
- 14.Principle coil

Main Part:

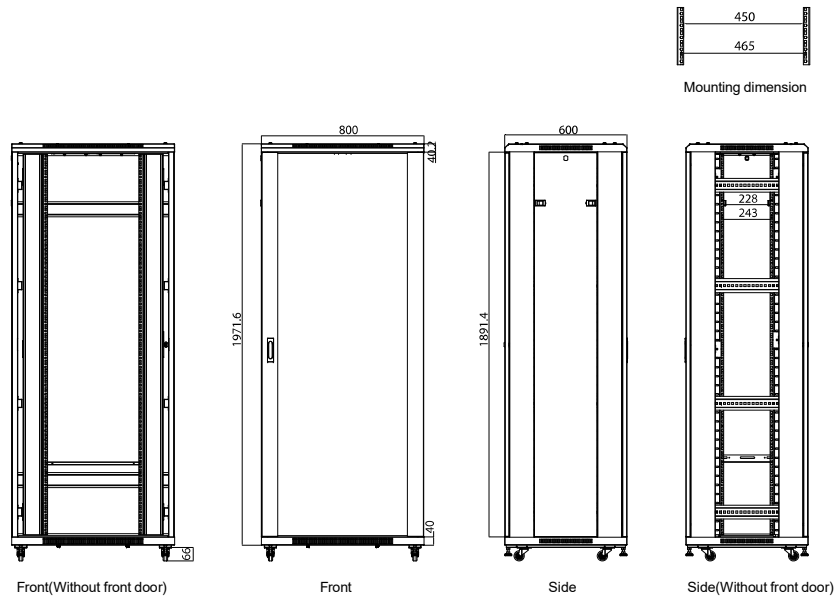
S/N	Specification	Quantity	Unit	Material	Surface finish	Remark
1	Top cover	1	Piece	SPCC cold rolled steel t1.2	Powder coated	----
2	Fan tray	1	Piece	SPCC cold rolled steel t1.0	Powder coated	----
3	Side panel	2	Piece	SPCC cold rolled steel t1.0	Powder coated	Toughened glass door
4	Rail	4	Piece	SPCC cold rolled steel t2.0	Powder coated	----
5	Frame	2	Piece	SPCC cold rolled steel t1.2	Powder coated	----
6	Front door	1	Piece	5mm toughened glass door/SPCC t1.2	Powder coated	Removable plate door
7	Fixed shelf	1	Piece	SPCC cold rolled steel t1.2	Powder coated	----
8	Heavy duty whell	4	Piece	----	----	----
9	Bottom	1	Piece	SPCC cold rolled steel t1.2	Powder coated	----
10	Castor with break	4	Piece	----	----	----
11	Rear door	1	Piece	SPCC cold rolled steel t1.2	Powder coated	Removable plate door
12	Beam	8	Piece	SPCC cold rolled steel t1.2	Powder coated	----
13	Square screws & nuts	56	Piece	Steel	Plated white Zinc	----
14	Allen wrench	1	Piece	Steel	Black	----
15	M12 adjustable feet	4	Piece	----	----	----



Width 800 GB Standing Server Cabinets



■ Main Dimension:



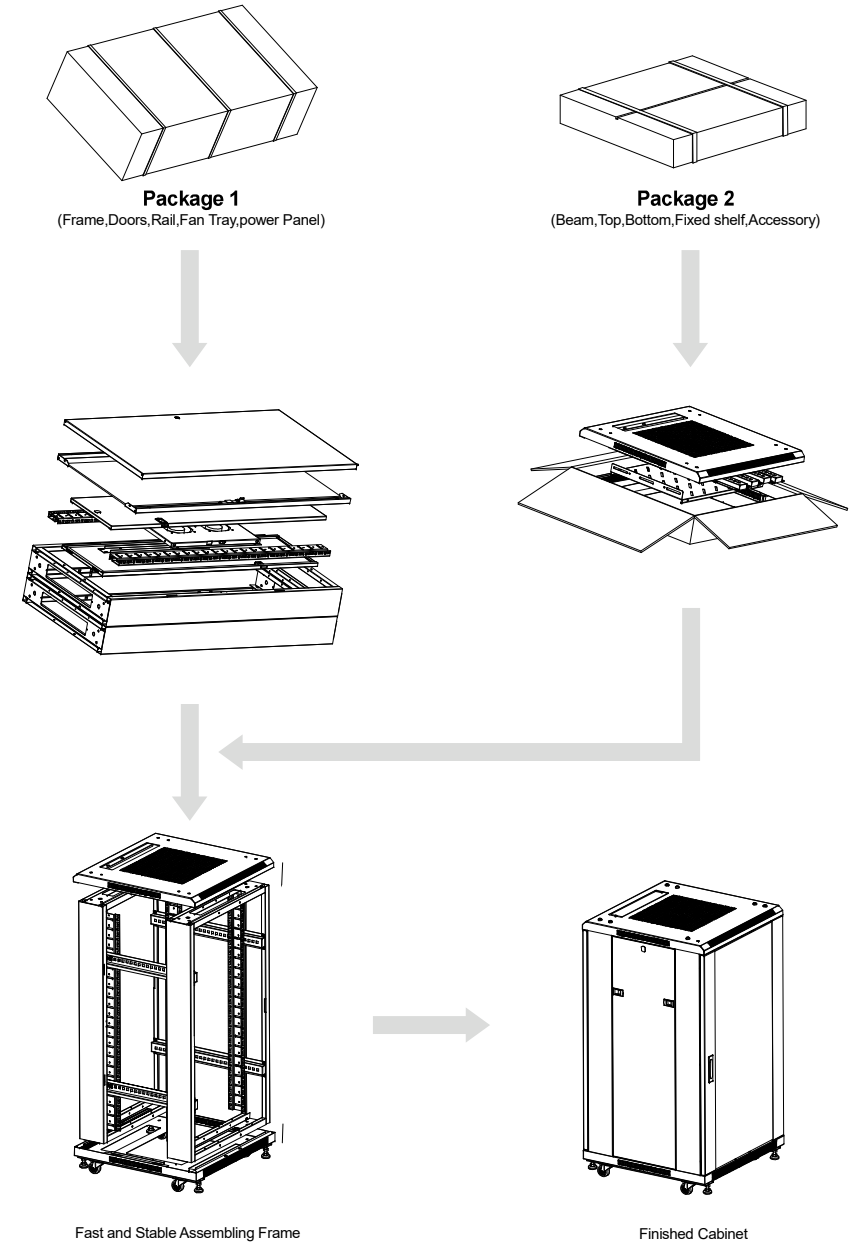
■ Specification:

Model Number	Capacity(U)	Width (mm)	Depth(mm)	Height(mm)	Packing Dimension (W*D*H)	Volume (CBM)	CKD Packing Dimension (W*D*H)	Volume (CBM)
GB8647	47	800	600	2193	820*620*2270	1.1541	2200*820*320+820*620*130	0.6434
GB8847	47	800	800	2193	820*820*2270	1.5263	2200*820*320+820*820*130	0.6647
GB8947	47	800	960	2193	820*980*2270	1.8242	2200*820*320+820*980*130	0.6754
GB8642	42	800	600	1973	820*620*2050	1.0422	1980*820*320+820*620*130	0.5856
GB8842	42	800	800	1973	820*820*2050	1.3784	1980*820*320+820*820*130	0.6070
GB8942	42	800	960	1973	820*980*2050	1.6474	1980*820*320+820*980*130	0.6176
GB8637	37	800	600	1753	820*620*1830	0.9304	1760*820*320+820*620*130	0.5279
GB8837	37	800	800	1753	820*820*1830	1.2305	1760*820*320+820*820*130	0.5492
GB8937	37	800	960	1753	820*980*1830	1.4706	1760*820*320+820*980*130	0.5599

■ Definition of Color:

- RAL7032
- RAL7035
- RAL9004
- RAL9005

■ CKD Packing of GB Standing Server Cabinets:

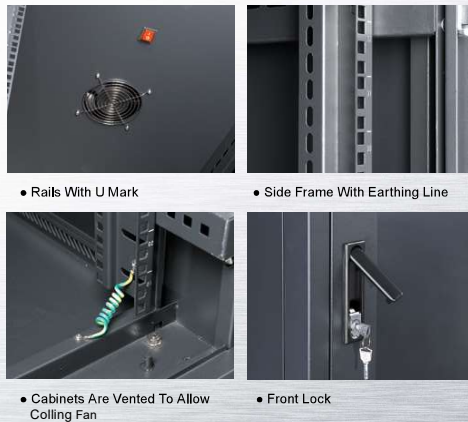


GC Standing Server Cabinets

Product Features

The GC Standing Server Cabinet Is A Cost Effective Cabinet That Can Be Installed In Equipment Rooms Or In Office Environments Where Aesthetics Are Important. Materials: Spcc High-Quality Cold Roll Steel. Surface Treatment: Degreasing, Rustproof, Phosphoric Spraying. Tempered Glass Front Door, Advanced Revolve Lock. Featuring Economical Design With Simple To-Use Structure. Cable Entrances Of Top And Bottom Plate. Various Optional Accessories Are Available. Strong Strucnton With Maximum Static Load Of 300Kg. The Inner Can Be Adjusted Upon Requirement.

- Range Of Medium Duty Cabinets Of Durable Modular Construction
- Several Lockable Wiring Holes On Top/ Bottom, Size Of The Large Hole At The Bottom Adjustable.
- The Frame Can Be Removed According To Requirement, U Was Marked In The Frame To Identify The Height.
- Bottom Base Can Fix The Cabinet,Cable Entry, Airflow, Avoiding Arts.
- Earthing Screw
- Adjustable Angles
- Can Be Supplied CKD



• Rails With U Mark • Side Frame With Earthing Line
 • Cabinets Are Vented To Allow Colling Fan • Front Lock

Main Part:

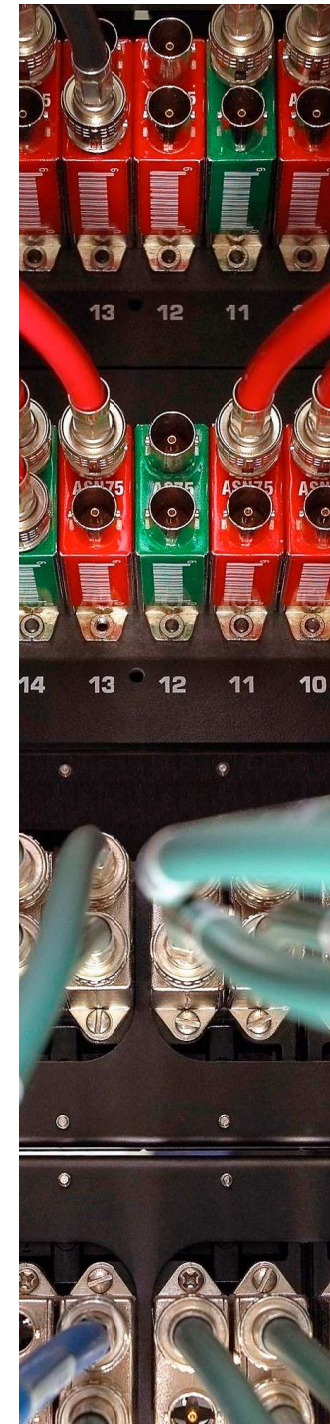
S/N	Specification	Quantity	Material	Surface finish	Remark
1	Top cover	1	SPCC cold rolled steel t0.8	Powder coated	----
2	Fan tray	1	SPCC cold rolled steel t1.2	Powder coated	----
3	Side panel	2	SPCC cold rolled steel t0.8	Powder coated	Toughened glass door
4	Rail	4	SPCC cold rolled steel t1.5	Powder coated	----
5	Frame	4	SPCC cold rolled steel t1.5	Powder coated	----
6	Front door	1	5mm toughened glass door/SPCC t1.5	Powder coated	Removable plate door
7	Fixed shelf	1	SPCC cold rolled steel t1.0	Powder coated	----
8	M12 adjustable feet	4	----	----	----
9	Bottom	1	SPCC cold rolled steel t0.8	Powder coated	----
10	Heavy duty castor	4	----	----	----
11	Rear door	1	SPCC cold rolled steel t0.8	Powder coated	Removable plate door
12	Beam	6	SPCC cold rolled steel t1.5	Powder coated	----
13	Square screws & nuts	24	Steel	Plated white Zinc	----
14	Allen wrench	1	Steel	Black	----
15	M12 adjustable feet	4	----	----	----

Specification:

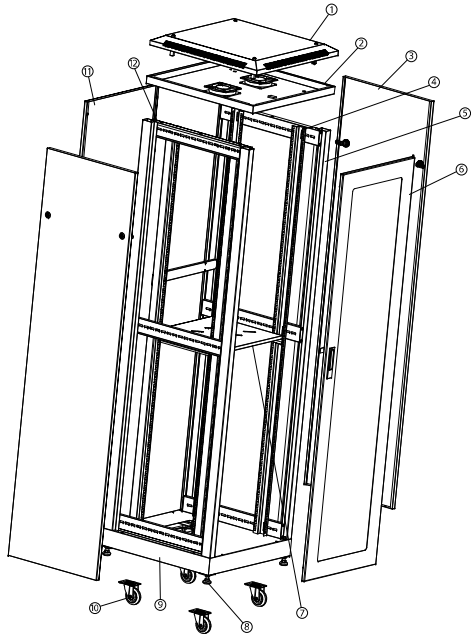
Model Number	Capacity(U)	Height(mm)	Packing Dimension (W*D*H)	Volume(CBM)
GC6647	47	2261	620*620*2300	0.8841
GC6847	47	2261	620*820*2300	1.1693
GC6947	47	2261	620*980*2300	1.3975
GC6642	42	2061	620*620*2100	0.8072
GC6842	42	2061	620*820*2100	1.0676
GC6942	42	2061	620*980*2100	1.2760
GC6637	37	1861	620*620*1900	0.7304
GC6837	37	1861	620*820*1900	0.9660
GC6937	37	1861	620*980*1900	1.1544
GC6633	33	1661	620*620*1700	0.6535
GC6833	33	1661	620*820*1700	0.8643
GC6933	33	1661	620*980*1700	1.0329
GC6628	28	1461	620*620*1500	0.5766
GC6828	28	1461	620*820*1500	0.7626
GC6928	28	1461	620*980*1500	0.9114
GC6624	24	1261	620*620*1300	0.4997
GC6824	24	1261	620*820*1300	0.6609
GC6924	24	1261	620*980*1300	0.7899
GC8647	47	2261	820*620*2300	1.1693
GC8847	47	2261	820*820*2300	1.5465
GC8947	47	2261	820*980*2300	1.8483
GC8642	42	2061	820*620*2100	1.0676
GC8842	42	2061	820*820*2100	1.4120
GC8942	42	2061	820*980*2100	1.6876
GC8637	37	1861	820*620*1900	0.9660
GC8837	37	1861	820*820*1900	1.2776
GC8937	37	1861	820*980*1900	1.5268

Definition of Color:

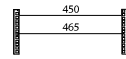
- FRAME RAL 5023
- BODY RAL 7035



■ Main Structure:

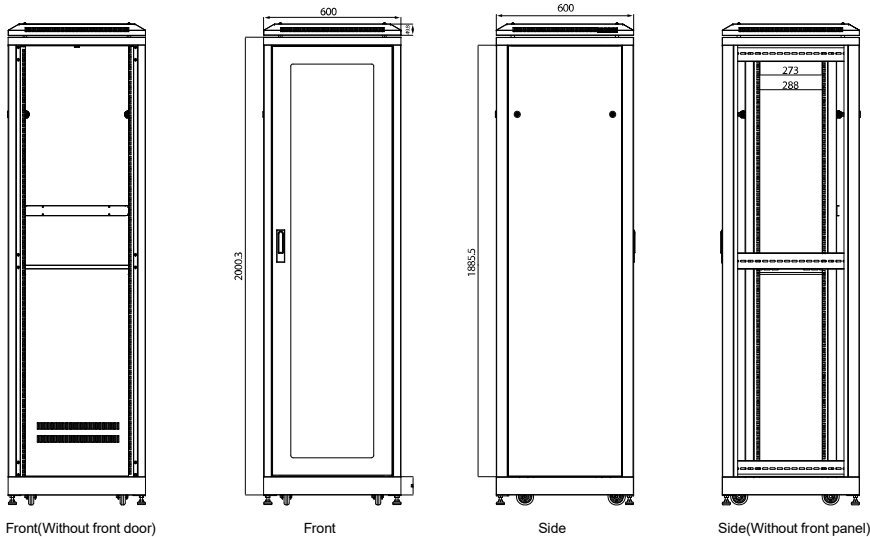


- 1.Top cover
- 2.Fan tray
- 3.Side panel
- 4.Rail
- 5.Frame
- 6.Front door
- 7.Fixed shelf
- 8.M12 adjustable feet
- 9.Bottom
- 10.Heavy duty castor
- 11.Rear door
- 12.Beam



Mounting dimension

■ Main Dimension:



GD Standing Server Cabinets

Product Features

This GD standing cabinet Exquisite design with precise dimension and craftsmanship. It's a cost effective cabinet that can be installed in equipment rooms where aesthetics are important. Surface treatment: degreasing, rustproof, phosphoric spraying. Strong structon with maximum static load of 300kg.

- strong frame,the combination design
- Color:
- Quickly removable front , rear door and side panels.
- Cable entry on the top cover and bottom panel with adjustable sizes
- "Easy disassembly,convenient transportation "
- Linkage cabinet, full series of optional accessories.



- Adjustable Mounting Rails Front and Back



- The Frame Can Be Removed According To Requirement, U Was Marked In The Frame To Identify The Height.



- Front Lock

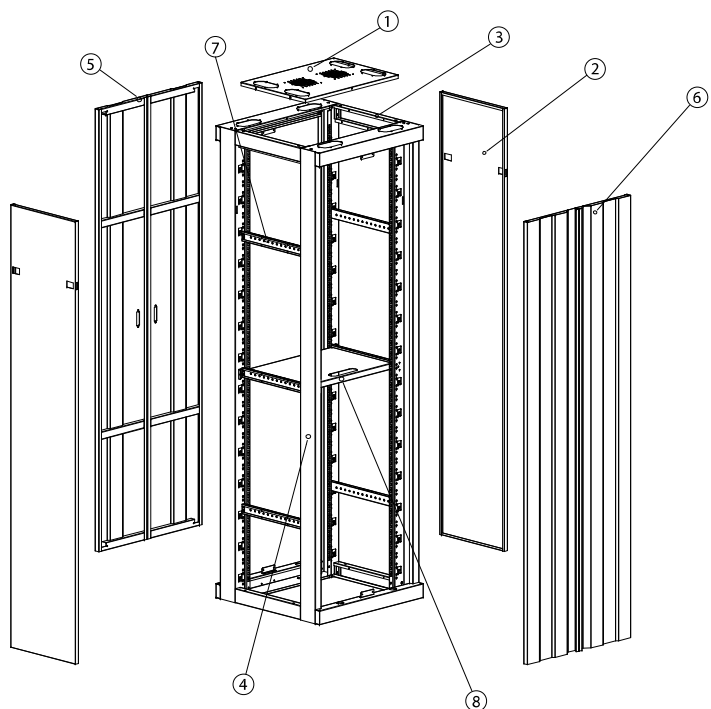


- A pull buckle front door lock



GD Standing Server Cabinets

■ Main Structure:

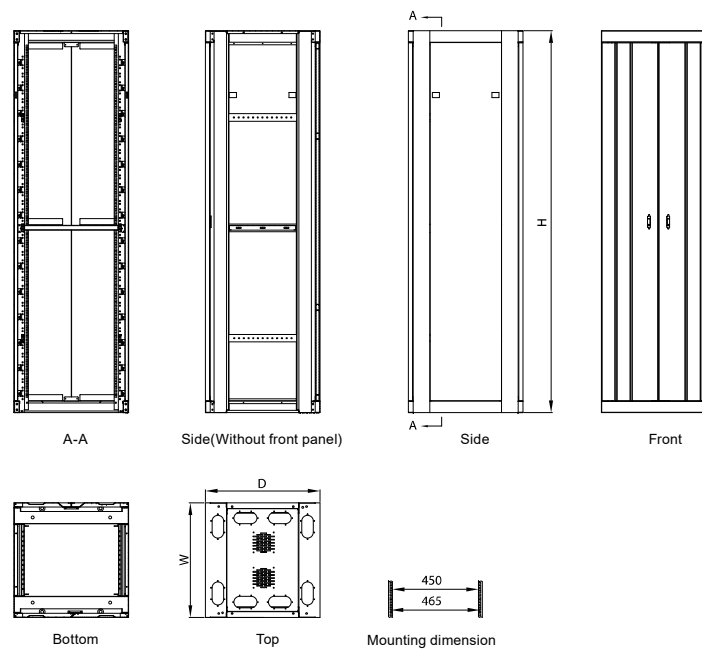


- 1.Top cover
- 2.Side panel
- 3.Side frame
- 4.Frame
- 5.Front double door
- 6.Rear double door
- 7.Beam
- 8.Fixed shelf

■ Main Part:

S/N	Specification	Quantity	Unit	Material	Surface finish	Remark
1	Top cover	1	Piece	SPCC cold rolled steel t1.2	Powder coated	----
2	Side panel	2	Piece	SPCC cold rolled steel t0.8	Powder coated	----
3	Side frame	4	Piece	SPCC cold rolled steel t1.2	Powder coated	----
4	Frame	2	Piece	SPCC cold rolled steel t1.5	Powder coated	----
5	Front double door	1	Piece	SPCC cold rolled steel t0.8	Powder coated	Removable plate door
6	Rear double door	1	Piece	SPCC cold rolled steel t0.8	Powder coated	Removable plate door
7	Beam	6	Piece	SPCC cold rolled steel t1.2	Powder coated	----
8	Fixed shelf	1	Piece	SPCC cold rolled steel t1.2	Powder coated	----
9	Square screws & nuts	56	Piece	Steel	Plated white Zinc	----

■ Main Dimension:



■ Specification:

Model Number	Capacity(U)	Width (mm)	Depth(mm)	Height(mm)	Packing Dimension (W*D*H)	Volume(CBM)
GD6647	47	600	600	2200	620*620*2220	0.8534
GD6847	47	600	800	2200	620*820*2220	1.1286
GD6947	47	600	960	2200	620*980*2220	1.3489
GD6642	42	600	600	2000	620*620*2020	0.7765
GD6842	42	600	800	2000	620*820*2020	1.0270
GD6942	42	600	960	2000	620*980*2020	1.2274
GD6637	37	600	600	1800	620*620*1820	0.6996
GD6837	37	600	800	1800	620*820*1820	0.9253
GD6937	37	600	960	1800	620*980*1820	1.1058
GD6632	33	600	600	1600	620*620*1620	0.6227
GD6832	33	600	800	1600	620*820*1620	0.8236
GD6932	33	600	960	1600	620*980*1620	0.9843
GD6628	28	600	600	1400	620*620*1420	0.5459
GD6828	28	600	800	1400	620*820*1420	0.7219
GD6928	28	600	960	1400	620*980*1420	0.8628

GF Standing Server Cabinets



Product Features

GF standing network cabinet uses a new design of the server cabinet to reflect the ability to manage the server, have good compatibility, suitable for large data base station and database. Standard accessories with removable perforated front door and double rear door. Height, depth and width can according customer request make. And more optional accessories. We have black and grey color.

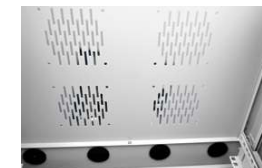
- Simple structure. Strength stability
- Exquisite design with precision dimensions.
- The frame can remove according to requirement.
- Bottom base can fix the cabinet , cable entry, airflow.
- More optional accessories



- The Frame Can Be Removed According To Requirement, U Was Marked In The Frame To Identify The Height.



- Side Frame With Earthing Line



- Cabinets Are Vented To Allow Cooling Fan

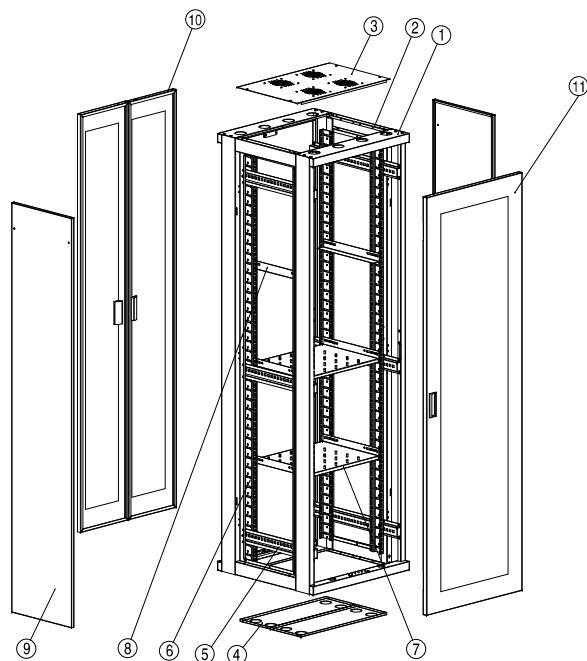


- Rails With U Mark



GF Standing Server Cabinets

■ Main Structure:

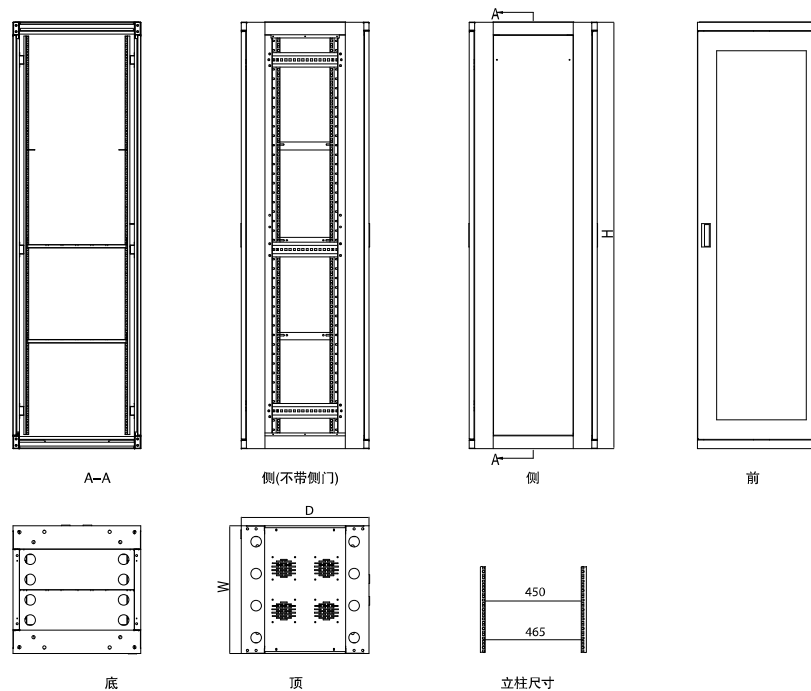


- 1.Frame
- 2.Beam
- 3.Top cover
- 4.Bootom
- 5.Horizontal support
- 6.Vertical support
- 7.Fixed shelf
- 8.L rail
- 9.Side door
- 10.Double mesh door
- 11.Net door

■ Main Part:

S/N	Specification	Quantity	Unit	Material	Surface finish	Remark
1	TTop cover	1	Piece	SSPCC cold rolled steel t1.2	Powder coated	----
2	Side panel	2	Piece	SPCC cold rolled steel t1.0	Powder coated	----
4	Rail	4	Piece	SPCC cold rolled steel t2.0	Powder coated	----
5	Frame	2	Piece	SPCC cold rolled steel t1.5	Powder coated	----
6	Front door	1	Piece	SPCC cold rolled steel t1.0	Powder coated	Removable plate door
7	Fixed shelf	1	Piece	SPCC cold rolled steel t1.2	Powder coated	---
9	Bottom	2	Piece	SPCC cold rolled steel t1.0	Powder coated	----
11	Rear door	2	Piece	SPCC cold rolled steel t1.0	Powder coated	Removable plate door
12	Beam	6	Piece	SPCC cold rolled steel t1.2	Powder coated	----
13	Square screws & nuts	40	Piece	Steel	Plated white Zinc	----

■ Main Dimension:



■ Specification:

Model Number	Capacity(U)	Width (mm)	Height(mm)	Packing Dimension (W*D*H)	Volume(CBM)
GF6647	47	600	600	620*620*2210	0.8495
GF6847	47	600	800	620*820*2210	1.1235
GF6147	47	600	1000	620*1020*2210	1.3976
GF6642	42	600	600	620*620*2010	0.7726
GF6842	42	600	800	620*820*2010	1.0218
GF6142	42	600	1000	620*1020*2010	1.2711
GF6637	37	600	600	620*620*1810	0.6957
GF6837	37	600	800	620*820*1810	0.9202
GF6137	37	600	1000	620*1020*1810	1.1446
GF6632	32	600	600	620*620*1610	0.6189
GF6832	32	600	800	620*820*1610	0.8185
GF6132	32	600	1000	620*1020*1610	1.0181
GF6627	27	600	600	620*620*1410	0.542
GF6827	27	600	800	620*820*1410	0.7168
GF6127	27	600	1000	620*1020*1410	0.8916

GS Cold Pool System For Data Center



Product Features

Cold and hot air separation, non turbulence, no short circuit, high refrigeration efficiency, saving cost; Good cooling effect, the heat dissipation effect more than single cabinet. Also improve the cabinet equipment density, save space;

The side of top cover adsorbed by the magnetic lock on the channel top plate, the magnetic lock power supply is controlled by the fire fighting system, when the alarm goes off, the fire fighting system will turn off the switch, the top cover will open, gas fire fighting in cold pool system for data center, more reliable. Modularization installation, when customer get the goods, all system is modularization, easy to assemble.

The data center use double acting door or auto door, doesn't occupy any corridor space. Customer according request can choose metal door with window or tempered glass door.

With digital lock or other type lock;

Data center top use tempered glass, when open, people can enter easy.

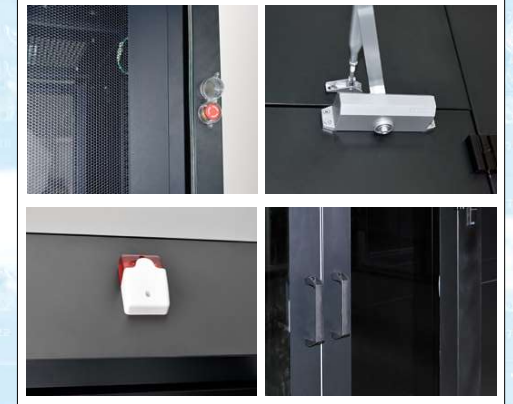
The top have light.

Top, doors all have sealing strip, can improve the refrigeration efficiency.

The data center have thermostat, hygrometer and smoke transducer, for air-condition control and send the data to fire-fighting system.

Inside put camera, the optional instrument panel on the front door for real-time monitoring and control.

- Standard :Comply with ANSI/EIARS-310-D, IEC297-2, DIN41491;PART1, DIN41494;PART7, GB/T3047.2-92 standard. Compatible with metric ETSI and 19 inch international standard.
- Material: rails and beam use anti-finger galvanometer steel coils; other parts use Cold-rolled steel sheet.
- Thickness: For hanger rail and top cover 2.0 mm, frame and support beam 1.5mm, other SPCC1.2mm.
- Surface finish: rails and beam no coating, other parts degreasing, pickling, phosphoric, powder coating.





GMA Wall Mounted Cabinets



• Rails With U Mark

• Earthing Screw

• Quickly Rrmovable Side Door

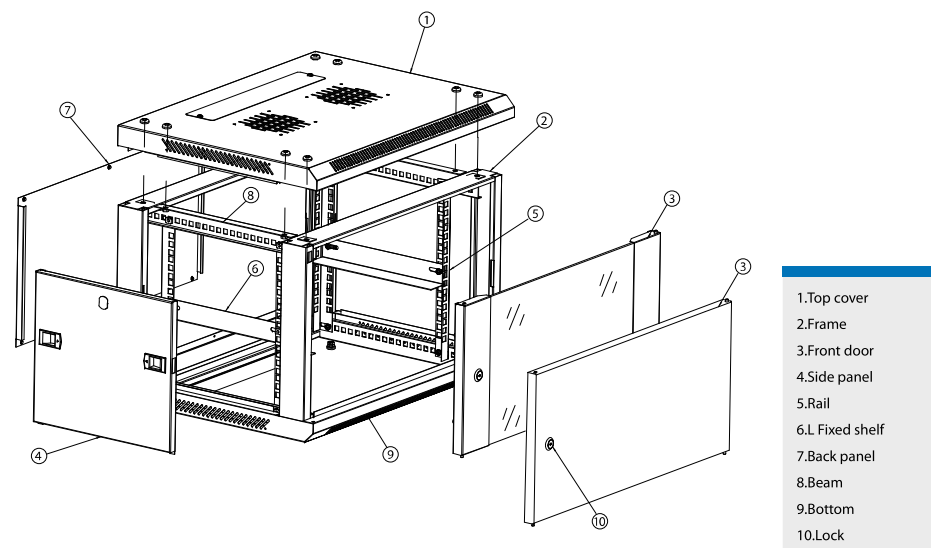
• Front Lock

Product Features

GMA Wall Mounted Cabinets Rigid Frame Structure With Load Rating Of 60 Kg, Cable Entry From Top And Bottom, Front Section With Glass Door Keys And Locks, Quickly Removable Side Panels, Provision For Optional Lock, Construction From 1mm Steel And Frames 2mm Steel, Fan Option With Effective Ventilation, 2 Pairs Of 19" Movable Vertical Extrusion.

- Variety Of Heights
- Vented Top And Bottom
- The Door Can Be Quickly Removed On Site For Easy Cabinet Installation, And Can Be Re-Hinged From Either Side (No Tools Are Required).
- Mounting Panel On The Rear, Easily Installing
- Inside Lock
- Installation Can Be Optional For Standing Or Wall
- Mounting
- Installation
- 600mm Wide Body
- With Tempered Glass Locking Doors
- Quickly Removable Side Door
- Feet And Castors Can Be Provided For Standing
- Adjustable Mounting Rails Front And Back

Main Structure:



- 1.Top cover
- 2.Frame
- 3.Front door
- 4.Side panel
- 5.Rail
- 6.L Fixed shelf
- 7.Back panel
- 8.Beam
- 9.Bottom
- 10.Lock

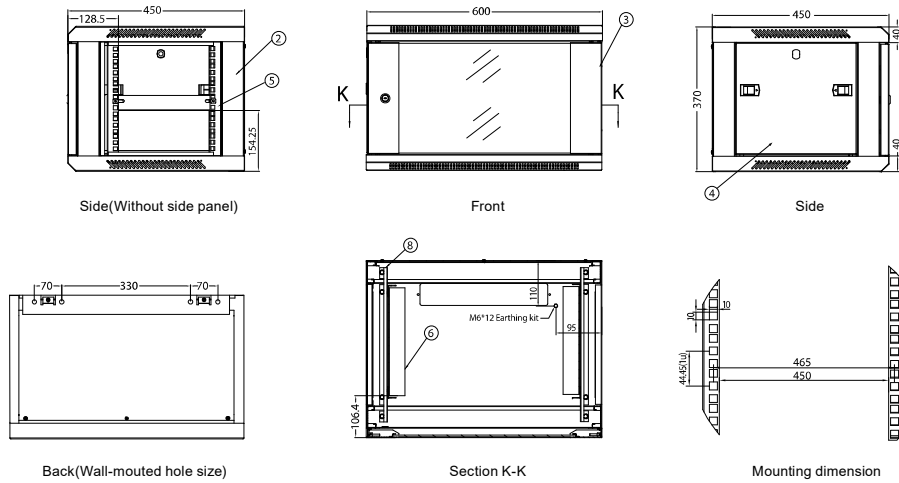
Main Part:

S/N	Specification	Quantity	Unit	Material	Surface finish	Remark
1	Top Cover	1	Piece	SPCC Cold rolled steel t1.0	Powder coated	----
2	Frame	2	Piece	SPCC Cold rolled steel t1.0	Powder coated	----
3	Front door ^①	1	Piece	5mm toughened glass door /spcc 1.2	Powder coated	----
4	Side panel	2	Piece	SPCC Cold rolled steel t1.0	Powder coated	----
5	Rail	4	Piece	SPCC Cold rolled steel t1.5	Powder coated	----
6	L Fixed shelf	2	Piece	SPCC Cold rolled steel t1.0	Powder coated	----
7	Back panel	1	Piece	SPCC Cold rolled steel t1.2	Powder coated	----
8	Beam	4	Piece	SPCC Cold rolled steel t1.2	Powder coated	----
9	Bottom	1	Piece	SPCC Cold rolled steel t1.0	----	----
10	Lock ^②	1	Piece	----	----	With 2 Keys
11	Hexagonal spiral	16	Piece	Stainless steel	Deactivation	----
12	Flange nut	16	Piece	Stainless steel	Deactivation	----
13	Cross screw	12	Piece	Stainless steel	Deactivation	----
14	Card buckle	12	Piece	Stainless steel	Deactivation	----

Remark: ① Two types of front door:toughened glass door,plate front door
 ② Toughened glass door and plate front door with small round lock

GMA Wall Mounted Cabinets

Main Dimension:



Specification:

Model Number	Capacity(U)	Width (mm)	Depth(mm)	Height(mm)	Packing Dimension (W*D*H)	Volume(CBM)
GMA6406	6	600	450	370	620*470*250	0.0729
GMA6409	9	600	450	500	620*520*250	0.0806
GMA6412	12	600	450	635	620*650*170	0.0685
GMA6415	15	600	450	770	620*790*170	0.0738
GMA6606	6	600	600	370	620*620*250	0.0961
GMA6609	9	600	600	500	620*620*250	0.0961
GMA6612	12	600	600	635	620*650*250	0.0685
GMA6615	15	600	600	770	620*790*250	0.0738
GMA6112	12	600	150	635	620*650*170	0.0690

Definition of Color:

- RAL9005
- RAL9004
- RAL7035
- RAL7032

GMB Wall Mounted Cabinets



Product Features

The Double Section Provides An Easy Access To The Cabinet To The Rear Of All Mounted Cabinets. A Swing Frame Construction Adds To The Flexibility Of Operation And Maintenance.

- Variety Of Heights
- Generous Cable Access Knockouts In Top And Bottom Of Back Mount
- With Tempered Glass Locking Doors
- The Door Can Be Quickly Removed On Site For Easy Cabinet Installation, And Can Be Re-Hinged From Either Side (No Tools Required).
- Mounting Panel On The Rear, Easily Installing
- Quickly Removable Side Door
- Installation Can Be Optional For Standing Or Wall Mounting
- Feet And Castors Can Be Provided For Standing Installation
- Adjustable Mounting Rails Front And Back
- 600mm Wide Body
- Inside Lock
- Side Lock

GMC Wall Mounted Cabinets



Product Features

GMC Min Wall Mounted Cabinets Rigid Frame Structure With Load Rating Of 50 Kg, Cable Entry From Top And Bottom, Front Section With Glass Door Keys And Locks, Quickly Removable Side Panels, Provision For Optional Lock, Construction From 1mm Steel And Frames 2mm Steel, Fan Option With Effective Ventilation, 2 Pairs Of 10" Movable Vertical Extrusion.

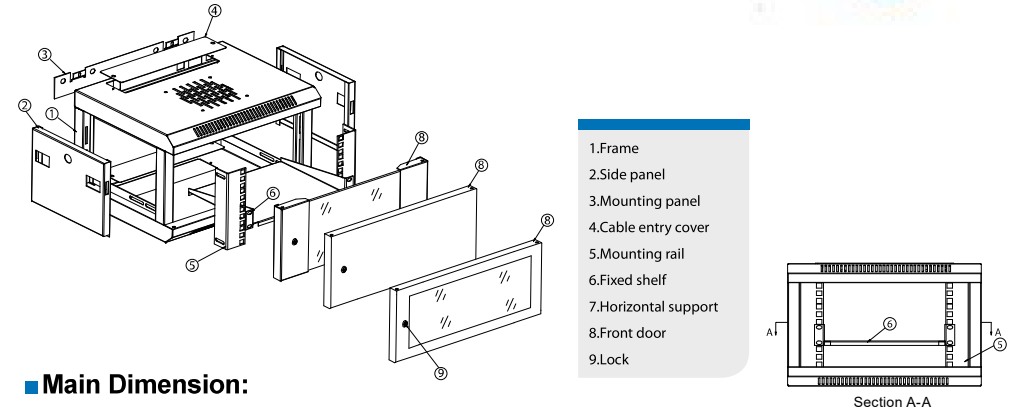
- Variety Of Heights
- Vented Top And Bottom
- The Door Can Be Quickly Removed On Side For Easy Cabinet Installation, And Can Be Re-hinged From Either Side (No Tools Required).
- Mounting Panel On The Rear, Can Be Easily Install
- Quickly Removable Side Door
- Installation Can Be Optional For Standing Or Wall
- Adjustable Mounting Rails Front And Back
- 350mm Wide Body
- With Tempered Glass Locking Doors
- Mounting



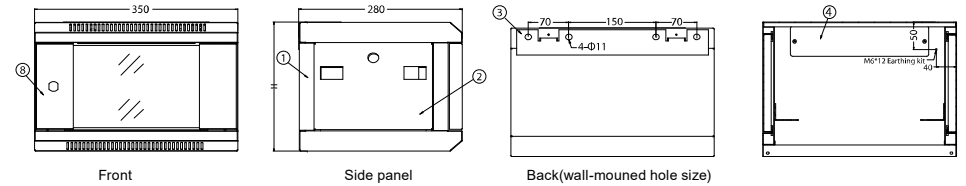
- Quickly Rrmovable Side Door
- Earthing Screw
- Adjustable Mounting Rails Front and Back
- Installation Can Be Optional For Standing or Wall Mounting



Main Structure:



Main Dimension:



Main Part:

Remark: ① Two types of front door:toughened glass door,plate front door
② Toughened glass door and plate front door with small round lock

S/N	Specification	Quantity	Unit	Material	Surface finish	Remark
1	Frame	1	Set	SPCC Cold rolled steel t1.0	Powder coated	----
2	Side panel	2	Piece	SPCC Cold rolled steel t1.0	Powder coated	----
3	Mounting panel	1	Piece	SPCC Cold rolled steel t1.2	Powder coated	----
4	Cable entry cover	4	Piece	SPCC Cold rolled steel t1.0	Powder coated	----
5	Mounting rail	2	Piece	SPCC Cold rolled steel t1.0	Powder coated	----
6	Fixed shelf	1	Piece	SPCC Cold rolled steel t1.0	Powder coated	----
7	Horizontal support	1	Piece	SPCC Cold rolled steel t1.0	Powder coated	----
8	Front door ^①	1	Piece	SPCC Cold rolled steel t1.2	Powder coated	----
9	Lock ^②	1	Piece	----	----	With 2 Keys

Specification:

Model Number	Capacity(U)	Width (mm)	Depth(mm)	Height(mm)	Packing Dimension (W*D*H)	Volume(CBM)
GMC3204	4	350	280	255	370*300*275	0.0305
GMC3206	6	350	280	344	370*300*365	0.0405
GMC3209	9	350	280	477.5	370*300*500	0.0556
GMC3212	12	350	280	611	370*300*635	0.0705

Definition of Color: ● RAL9005 ● RAL9004 ● RAL7035 ● RAL7032

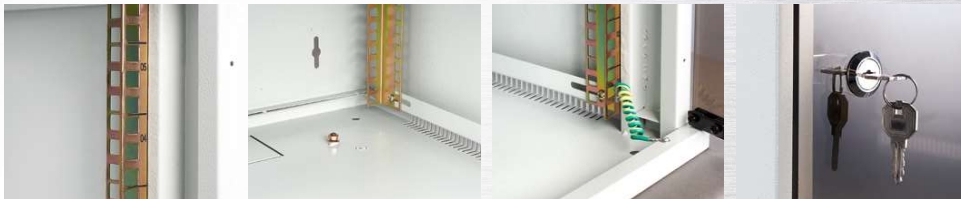
GQ Wall Mounted Cabinets



Product Features

Materials: Spcc Cold Rolled Steel Surface Treatment: Deareasing, Rustproof, Phosphoric Spraying Exquisite Design With Precise Dimension And Craftmanship. Tempered Glass Front Door. Installation Can Be Optional For Standing Or Wall Mounting. Easy Installing And Maintaining. Frame Structure With The Load Of 50Kg. Various Optional Accessories Are Available.

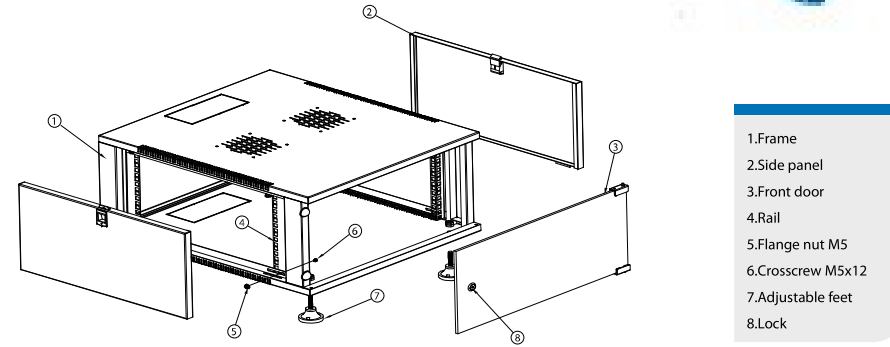
- Variety Of Heights
- With Tempered Glass Locking Doors
- Quickly Removable Side Door
- Installation Can Be Optional For Standing Or Wall Mounting
- Feet And Castors Can Be Provided For Standing Installation
- Adjustable Mounting Rails Front And Back



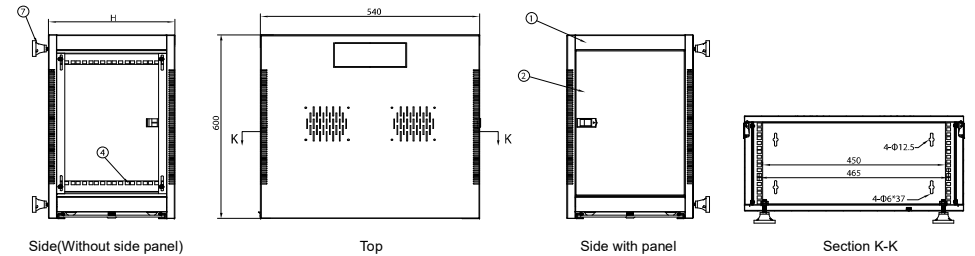
• Adjustable Mounting Rails Front and Back • Earthing Screw • Side Frame With Earthing Line • Front Lock



Main Structure:



Main Dimension:



Main Part:

S/N	Specification	Quantity	Unit	Material	Surface finish
1	Frame	1	Piece	SPCC Cold rolled steel t1.0	Powder coated
2	Side panel	2	Piece	SPCC Cold rolled steel t1.0	Powder coated
3	Front door	1	Piece	5mm tempered glass door	
4	Rail	4	Piece	SPCC Cold rolled steel t1.5	plated with zinc
5	Flange nutM5	8	Piece	steel	plated with zinc
6	Cross screwM5x12	8	Piece	steel	plated with zinc
7	Adjustable feet	4	Piece	---	---
8	Lock	1	Piece	---	---

Specification:

Model Number	Capacity(U)	Width (mm)	Depth(mm)	Height(mm)	Packing Dimension (W*D*H)	Volume(CBM)
GQ5606	6	540	600	310	560*620*330	0.1146
GQ5609	9	540	600	445	560*620*465	0.1614
GQ5612	12	540	600	580	560*620*600	0.2083
GQ5615	15	540	600	710	560*620*730	0.2534
GQ5620	20	540	600	932.5	560*620*950	0.3298
GQ5625	25	540	600	1155	560*620*1175	0.4080

Definition of Color: ● RAL9005 ● RAL9004 ● RAL7035 ● RAL7032

GU Wall Mounted Cabinets



• Adjustable Mounting Rails
Front and Back

• Earthing Screw

• Back with Key

• Front Lock

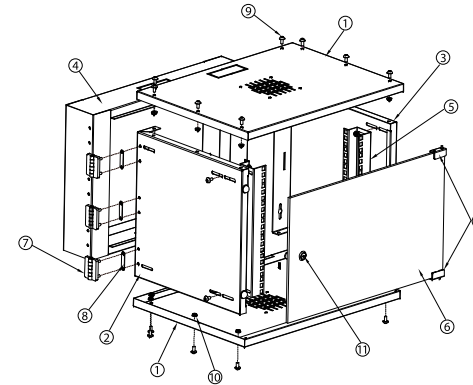
Product Features

Material: SPCC Rolled Steel Surface Treatment: Degreasing, Rustproof, Phosphoric Spraying Exquisite Design With Precise Dimension And Craftsmanship. Tempered Glass Front Door. Installation Can Be Optional For Standing Or Wall Mounting. Easy Installing And Maintaining. Frame Structure With The Load Of 50kgs. Various Optional Accessories Are Available. All Part With The Screw, Very Easy Disassembly Packing.

- Variety Of Heights
- With Tempered Glass Locking Doors
- Quickly Removable Side Door
- Installation Can Be Optional For Standing Or Wall Mounting
- Feet And Castors Can Be Provided For Standing Installation
- Adjustable Mounting Rails Front And Back
- Easily Disassembly Packing

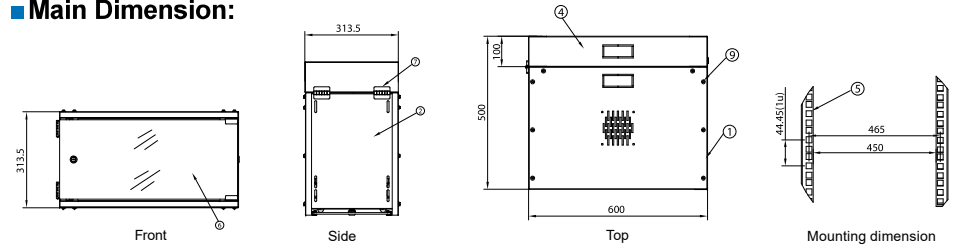


Main Structure:



1. Top cover (same with bottom)
2. Left panel
3. Right panel
4. Rear frame
5. Rail
6. Glass door
7. Hinge
8. Gasket
9. Haxangon socket button head screw
10. Hexagon nuts with flange
11. Lock
12. Glass clamp

Main Dimension:



Main Part:

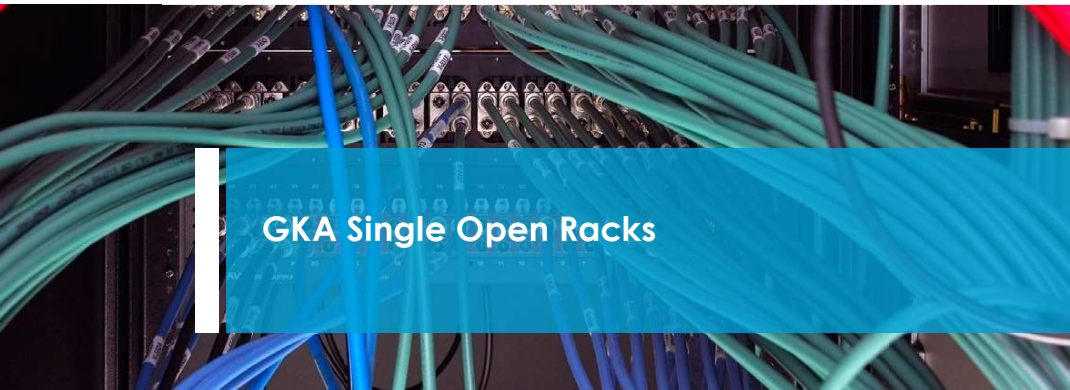
S/N	Specification	Quantity	Unit	Material	Surface finish	Remark
1	Top cover (same with bottom)	2	Piece	SPCC Cold rolled steel t1.2	Powder coated	----
2	Left panel	1	Piece	SPCC Cold rolled steel t1.5	Powder coated	----
3	Right panel	1	Piece	SPCC Cold rolled steel t1.5	Powder coated	----
4	Rear frame	1	Set	SPCC Cold rolled steel t1.5	Powder coated	Accessories
5	Rail	2	Piece	SPCC Cold rolled steel t1.5	Powder coated	----
6	Glass door	1	Piece	5mm toughened glass door	Powder coated	----
7	Hinge	3	Piece	----	Powder coated	Packing with rear frame
8	Gasket	3	Piece	----	----	----
9	Haxangon socket button head screw	20	Piece	----	----	----
10	Hexagon nuts with flange	32	----	----	----	Twelve packing with rear frame
11	Lock	1	Piece	----	----	With 2 Keys
12	Glass clamp	1	Piece	----	Deactivation	Up and down

Specification:

Model Number	Capacity(U)	Width (mm)	Depth(mm)	Height(mm)	Packing Dimension (W*D*H)	Volume(CBM)
GU6406	6	600	500	312	620*520*332	0.1070
GU6409	9	600	500	446	620*520*466	0.1502
GU6412	12	600	500	580	620*520*600	0.1934
GU6415	15	600	500	715	620*520*735	0.2370

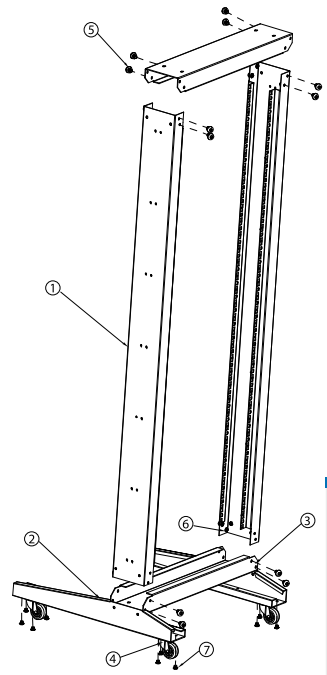
Definition of Color:

- RAL9005
- RAL9004
- RAL7035
- RAL7032



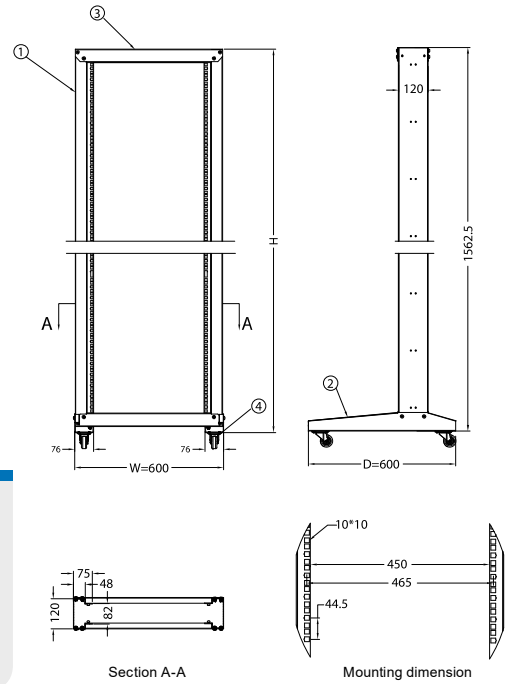
GKA Single Open Racks

Main Structure:



- 1.Frame
- 2.Plinth
- 3.Horizontal beam
- 4.Castor with brake
- 5.Hexagonal spiral
- 6.Flange nut
- 7.M5 crosses screws

Main Dimension:



Product Features

- Modular Design, Easily Assemble And Disassemble For Delivery, Low-Cost; Various Optional Accessories According To Requirement Surface Treatment: Degreasing, Phosphoric, Powder Coat.
- Modular Design, Easily Mounting And Disassemble, Low-Cost, Easy Delivery.
 - Many Accessories Optional According To Requirement
 - Can Be Supplied CKD



• Castor With Brake



• 2U 350mm depth fixed shelf



• 6 ways universal PDU

Main Part:

S/N	Specification	Quantity	Unit	Material	Surface finish
1	Pole	2	Piece	SPCC Cold rolled steel t1.5	Powder coated
2	Plinth	2	set	SPCC Cold rolled steel t2.0	Powder coated
3	Horizontal beam	2	Piece	SPCC Cold rolled steel t2.0	Powder coated
4	2"heavy duty castor	4	Piece	----	Powder coated
5	Hexagonal spiral	20	Piece	Stainless steel	Deactivation
6	Flange nut	20	Piece	Stainless steel	Deactivation
7	M5 crosses screws	16	Piece	Stainless steel	Deactivation

Specification:

Model Number	Capacity(U)	Width (mm)	Depth(mm)	Height(mm)	Packing Dimension (W*D*H)	Volume(CBM)
GKA6622	22	600	600	1120	670*150*1150	0.1156
GKA6632	32	600	600	1562	670*150*1595	0.1603
GKA6637	37	600	600	1785	670*150*1815	0.2050
GKA6642	42	600	600	2010	670*150*2040	0.1829
GKA6647	47	600	600	2230	670*150*2260	0.2271

Definition of Color:

- RAL9005
- RAL9004
- RAL7035
- RAL7032

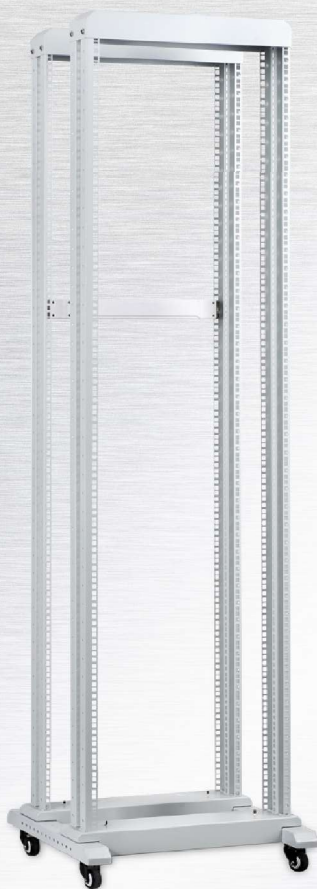


GKB Double Data Racks

Product Features

Modular Design, Easily Assemble And Disassemble For Delivery, Low-Cost; Various Optional Accessories According To Requirement Surface Treatment: Degreasing, Phosphoric, Powder Coat.

- Modular Design, Easily Mounting And Disassemble, Low-Cost, Easy Delivery.
- Many Accessories Optional According To Requirement
- Can Be Supplied CKD



• Castor With Brake

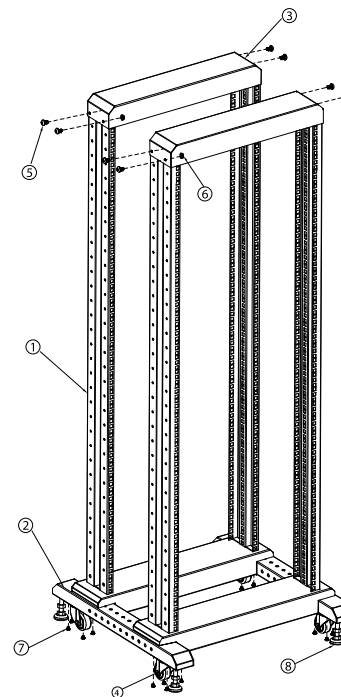


• 1U Fixed Shelf



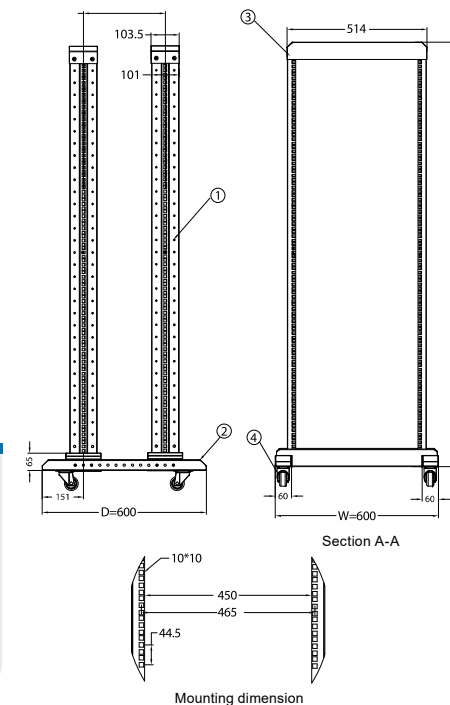
• 6 ways universal PDU

Main Structure:



1. Fram
2. Plinth
3. Fram lid
4. Castor with brake
5. Hexagonal spiral
6. Flange nut
7. M5 crosses screws
8. Adjustable feet

Main Dimension:



Main Part:

S/N	Specification	Quantity	Unit	Material	Surface finish
1	Frame	2	Set	SPCC Cold rolled steel t1.5	Powder coated
2	Plinth	2	Piece	SPCC Cold rolled steel t2.0	Powder coated
3	Top cover	2	Piece	SPCC Cold rolled steel t2.0	Powder coated
4	2"heavy duty castor	4	Piece	---	Powder coated
5	Hex agonal spiral	8	Piece	Stainless steel	Deactivation
6	Flange nut	8	Piece	Stainless steel	Deactivation
7	M5 crosses screws	16	Piece	Stainless steel	Deactivation
8	Adjustable feet	4	Piece	---	---

Specification:

Model Number	Capacity(U)	Width (mm)	Depth(mm)	Height(mm)	Packing Dimension (W*D*H)	Volume(CBM)
GKB6622	22	600	600	1120	670*260*1150	0.2003
GKB6632	32	600	600	1562	670*260*1595	0.2778
GKB6637	37	600	600	1785	670*260*1815	0.3161
GKB6642	42	600	600	2010	670*260*2040	0.3554
GKB6647	47	600	600	2230	670*260*2260	0.3937

Definition of Color: ●RAL9005 ●RAL9004 ●RAL7035 ●RAL7032

Fiber Optic Terminal Box



◀ 280*300*70 1-24 Core Wall Type Optical Fiber Distribution Box



◀ 350*350*100 1-16 Core Wall Type Optical Splitters Box-A



◀ 350*300*70 1-24 Core Wall Type Optical Fiber Distribution Box



◀ 350*350*100 1-16 Core Wall Type Optical Splitters Box-B



◀ 450*380*110 1-48 Core Wall Type Optical Fiber Distribution Box



◀ 300*250*100 Wall Type Campus Information Box

Fiber Optic Terminal Box Cabinet Accessories



◀ 460*350*100 1-32 Core Wall
Type Optical Splitters Box



◀ 620*500*130 Wall Type 1-48
Core Embedded Three In One
Optical Fiber Distribution Box



GA-A Series Patch Panel, Fiber Distribution Frame

Product Features:

GA-A series can be applied in branch connection of optical cable termination, 19" standard structure, sliding design, rack mounted, suitable for FC, SC, ST, LC adapters.

Application:

Telecommunication networks
CATV Networks
Local Area Network
Active Device Termination
FTTH

Features and Benefits:

1. Low excess loss & High performance
2. Retractable splicing tray
3. Convenience and ease of handling
4. Applied to various of optical fiber distribution frames, distribution cabinets and optical cable cross-connection cabinets.
5. With splice trays in the box and integrate heat sealing and wiring into one.
6. Apply double-sided structured optical fiber splice tray to make full use of the two sides of the board.
7. It's suitable for ribbon or non-ribbon optical fiber cable.
8. Every tray can be clamped with 12FC/SC/ST adaptors.
9. Install adaptors on the face side of optical fiber splice tray in a bayonet way at an oblique angle of 30 degrees to ensure curve radius of.

Type	GA-A-1U	GA-A-2U	GA-A-3U	GA-A-4U
Size(mm) w*d*h	430*300*1U	430*300*2U	430*300*3U	430*300*4U
Max capacity(Cores)	48	96	144	192



GA-C ODF Unit

Product Features:

GA-B series can be applied in the straight through or branch connection of indoor optical cable; Available for the distribution and terminal connection of various kinds of optical fiber system, fit for wall mounting.

Type	GA-B-4	GA-B-8	GA-B-12
Size(mm) w*d*h	220*110*40	220*110*40	430*300*4U
Max capacity(Cores)	4	8	12
Adapter	SC, ST, FC, LC	SC, ST, FC, LC	SC, ST, FC, LC

Cabinet Accessories



GA-B Series Fiber Optic Terminal Box

Product Description:

Optical Distribution Frame (ODF) is integrated components in any fiber management system to handle termination and cross-connection of cables. Pre-terminated ODFs with cables are pre-installed with connectors and cable for quick and easy installation. Units with pre-terminated cables offer advantages such as faster installation, resulting in shorter time to revenue as well as guaranteed quality and performance. We offer optical distribution frame in different size, such as 1U 12 ports, 1U 24 ports, 2U 36ports, 3U 48 ports, 4U 72 ports. Several cable options are available.

Application:

Telecommunications subscriber loop
Fiber to the home (FTTH)
LAN/WAN
CATV

Functions:

Optical cable fixation and protection
Optical cable termination
Patching
Protection of optical fiber and pigtail

Features and Benefits:

For standard 19" racks use (other rack width options available on request)
Fully stable patch panel, no risk of movement
Protected patch panel offers secure environment for adapters, patch cords and pigtails
Top quality steel with cover by electrostatic painted ensures the strong body and pleasing appearance
Easy for installation of inlay, convenient to expand capacity, obliquity of adapter is 30°
Height: depends on capacity, one Integrated Splice & Distribution unit which has the capacity of 12 core within 1U height
Different size 1U 12 ports, 1U 24 ports, 2U 36ports, 3U 48 ports, 4U 72 ports
Adapter interface sc,fc,lc,st,e2000...
Fiber cores 12 port,24 port,36port,48port,72port,96port,144 port ,288port

Type	GA-C-12	GA-C-24	GA-C-48	GA-C-72	GA-C-24	GA-C-48	GA-C-72	GA-C-96
Size(mm) w*d*h	480*250*1U	480*250*2U	480*210*3U	480*210*4U	480*300*2U	480*300*3U	480*300*4U	480*300*6U



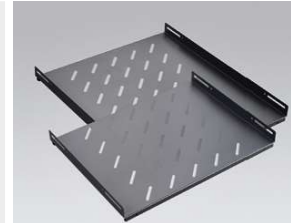
GA-1-600mm
Sliding shelf without vented for depth 600mm cabinet
GA-1-800mm
Sliding shelf without vented for depth 800mm cabinet
GA-1-960mm
Sliding shelf without vented for depth 960mm cabinet



GA-2-600mm
Sliding shelf with vented for depth 600mm cabinet
GA-2-800mm
Sliding shelf with vented for depth 800mm cabinet
GA-2-960mm
Sliding shelf with vented for depth 960mm cabinet



GA-3-600mm
Keyboard for depth 600mm cabinet
GA-3-800mm
Keyboard for depth 800mm cabinet
GA-3-960mm
Keyboard for depth 960mm cabinet



GA-4-600mm
1U Fixed shelf for depth 600mm cabinet
GA-4-800mm
1U Fixed shelf for depth 800mm cabinet
GA-4-960mm
1U Fixed shelf for depth 960mm cabinet



GA-5-250mm
2U Fixed shelf depth 250mm
GA-5-350mm
2U Fixed shelf depth 350mm
GA-5-450mm
2U Fixed shelf depth 450mm



GA-6
Drawer



GA-7-1U
19" 1U Blanking panel
GA-7-1U
19" 2U Blanking panel
GA-7-1U
19" 3U Blanking panel
GA-7-1U
19" 4U Blanking panel



GA-8-66
Bottom for GB 600*600mm cabinet
GA-8-68
Bottom for GB 600*800mm cabinet
GA-8-88
Bottom for GB 800*800mm cabinet
GA-8-89
Bottom for GB 800*960mm cabinet



GA-9
19" 1U Metal cable manager



GA-10
19" 1U Plastic cable manager

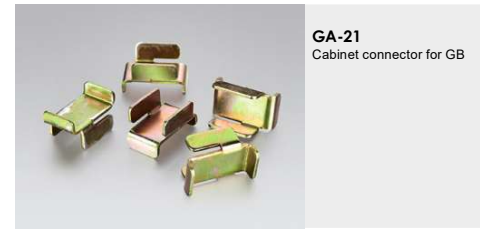
Cabinet Accessories



GA-11
19" 1U Brush panel



GA-12
Feet for GQ cabinet



GA-21
Cabinet connector for GB



GA-22
German type power socket



GA-13
Adjustable feet



GA-14
Castor with brake



GA-23
Chinese type power socket



GA-24
French type power socket



GA-15
Castor without brake



GA-16
Stainless steel square nuts and screws



GA-25
American type power socket



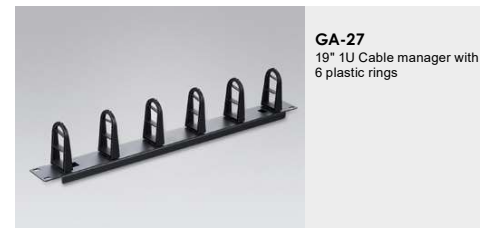
GA-26
Cooling fan



GA-17
19" 1U Plastic 4 rings cable manager



GA-18
Advanced lock



GA-27
19" 1U Cable manager with 6 plastic rings



GA-28-12P
1U Network panel 12port
GA-28-24P
2U Network panel 24port
GA-28-48P
4U Network panel 48port



GA-19
Side lock



GA-20
Lock with the deluxe rotary handle



GA-29-1U
19" 1U Panel bracket
GA-29-2U
19" 2U Panel bracket
GA-29-4U
19" 4U Panel bracket

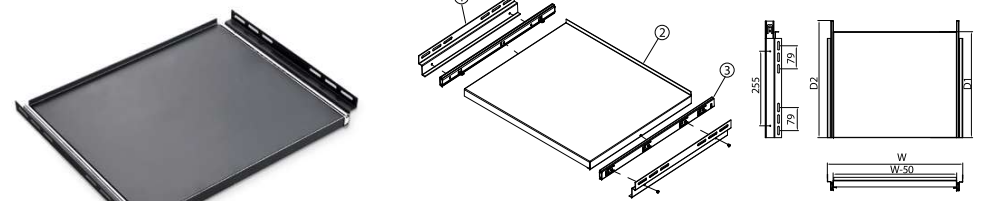


GA-30
Thermostat with base

Cabinet Accessories

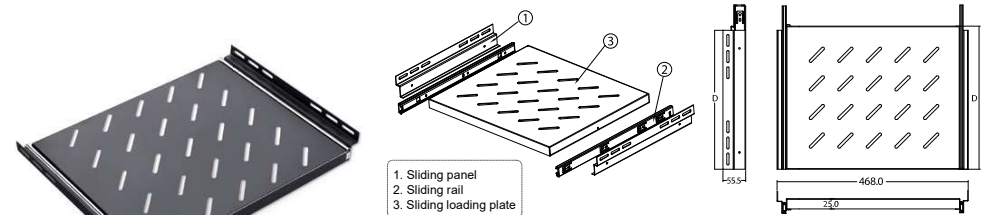
 <p>GA-31 1U 1U Light panel</p>	 <p>GA-32 1U flame-retarded plastic blanking panel</p>
 <p>GA-33-1U 19" 1U Panel for the placement of 6 modules GA-33-3U 19" 3U Panel for the placement of 15 modules</p>	 <p>GA-34 19" Brush panel without back</p>
 <p>GA-35 Revolving metal lock for double door</p>	 <p>GA-36-600 Heavy duty sliding shelf GA-36-800 Heavy duty sliding shelf GA-36-960 Heavy duty sliding shelf</p>
 <p>GA-37 Back mount frame for 10 Pairs Module</p>	 <p>GA-38 Small round lock</p>
 <p>GA-39 Advance moon-shaped lock</p>	 <p>GA-40-1U 1U horizontal wall mount bracket GA-40-2U 2U horizontal wall mount bracket GA-40-3U 3U horizontal wall mount bracket</p>

GA-1 Structure Sliding of Shelf



• Remark: GA-3 Structure of sliding shelf Loading capacity:50kg
GA-4 Structure of sliding shelf Loading capacity:50kg

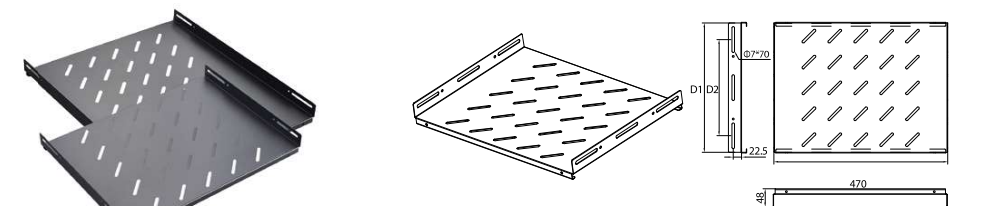
GA-2 Structure Sliding of Shelf



Model Number	Specification	Dimension(mm)	Use
GA-1-600/GA-2-600	600 Sliding shelf	470*350*380	19" Installation for 600-depth cabinets
GA-1-800/GA-2-800	800 Sliding shelf	470*550*580	19" Installation for 800-depth cabinets
GA-1-900/GA-2-900	900 Sliding shelf	470*650*680	19" Installation for 900-depth cabinets
GA-1-960/GA-2-960	960 Sliding shelf	470*710*740	19" Installation for 960/1000-depth cabinets

Definition of Color: ●RAL9005 ●RAL9004 ●RAL7035 ●RAL7032

GA-4 Structure Fixed of Shelf



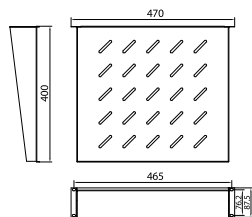
- Heavy duty fixed shelf:Use for placing equipment
- Material:t1.2spcc cold rolled steel
- Surface Finish:Degreasing,pickling,phosphoric, powder coated
- Loading capacity:20kg

Model Number	Specification	Dimension(mm)	Use
GA-4-600	600 Heavy duty fixed shelf	470*350*260	19" Installation for 600-depth cabinets
GA-4-800	800 Heavy duty fixed shelf	470*550*460	19" Installation for 800-depth cabinets
GA-4-900	900 Heavy duty fixed shelf	470*650*560	19" Installation for 900-depth cabinets
GA-4-960	960 Heavy duty fixed shelf	470*710*620	19" Installation for 960/1000-depth cabinets

Definition of Color: ●RAL9005 ●RAL9004 ●RAL7035 ●RAL7032



GA-5 Structure of 2U Fixed Shelf



- Heavy duty fixed shelf: Use for placing equipment
- Material: 1.2spcc cold rolled steel
- Surface Finish: Degreasing, pickling, phosphoric, powder coated
- Loading capacity: 20kg

Model Number	Specification	Dimension(mm)	Thickness(mm)	Remark
GA-5-250	250mm Cantilever shelf	250(Depth)	1.5	19" Installation
GA-5-350	350mm Cantilever shelf	350(Depth)	1.5	19" Installation
GA-5-450	450mm Cantilever shelf	450(Depth)	1.5	19" Installation

Power Distribuion Unit:



6-outlet English-type PDU

6-outlet Australia-type PDU

6-outlet American-type PDU

6-outlet German-type PDU

6-outlet All-usage type PDU

6-outlet French-type PDU